

**Yücel**  
BAHÇE MOB. SAN VE TİC. A.Ş.



**DELTA**   
Stadium Seating

**SEFES**





El Jadida Sports Facility / Morocco

Yucel AS carried out a lot of domestic and overseas project since Delta seats entered into market. Among recent domestic references Sivas Stadium, Konya Stadium, Bursa Timsah Arena, Galatasarat TT Arena and overseas references; Batumi Stadium/Georgia, Japoma Stadium/Cameroon, Al Nasr Stadium/Dubai, Loro Borici Stadium/Albania and many more can be counted.

Yucel Bahce Mob. San. Tic A.S company started its activities in 1985. Since 2002, company has been producing plastic furniture for outdoors. Seating for stadiums are produced since 2008, first project being Kadir Has Stadium in Kayseri, Turkey.

In 2009, Delta brand name has been purchased and since then Delta seats are supplied to stadiums and sports halls in variety of models including general spectator seats, VIP – Box seats, Players Bench seats, Press seats in numerous assembly methods.

As of today, Yucel has been exporting plastic furnitures and stadium seats to 62 countries that is produced in its integrated plants built on area of 50.000 sqr meters in south of Turkey. Market share of Delta has been going up every year thanks to stock rates, fast production capability and variety of models that is developed consistently every year.



SALLE CLOSED COMPLEX / MOROCCO



SAKARYA UNIVERSITY



SAKARYA STADIUM



SALLE CLOSED COMPLEX / MOROCCO

# SEFES



SEFES-101 OPEN ARMS



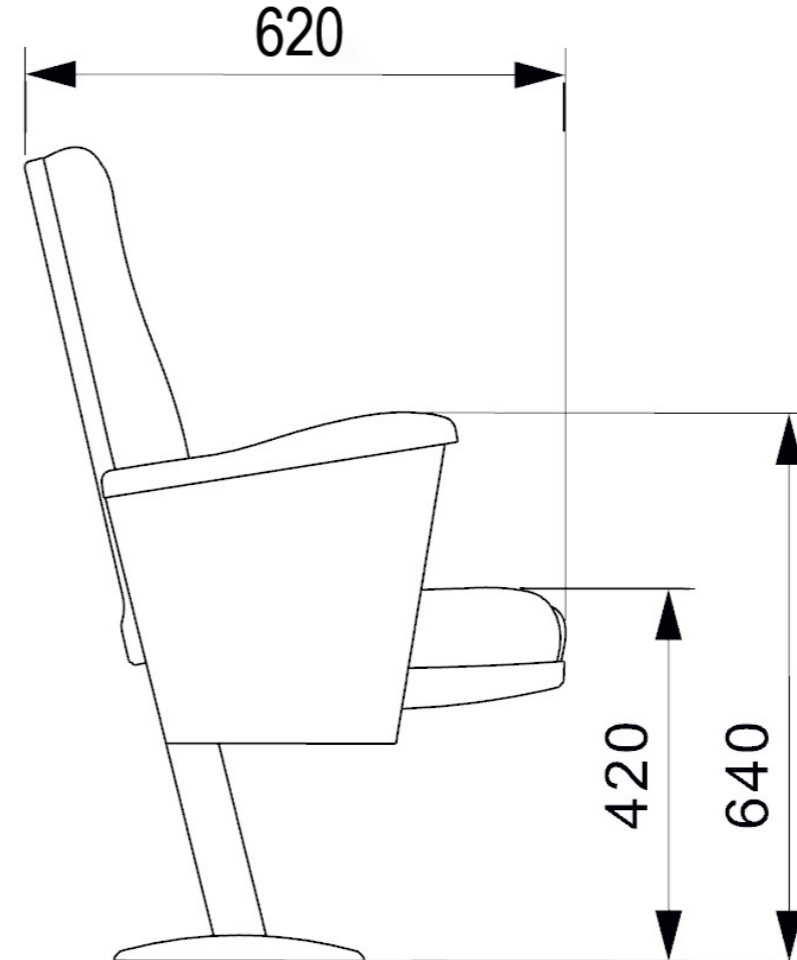
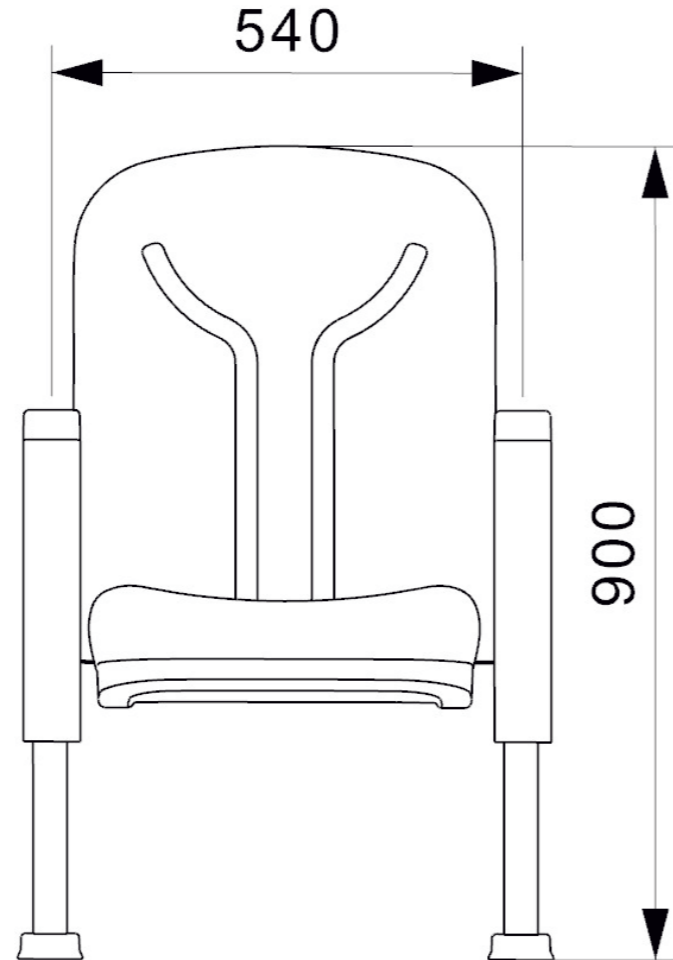
SEFES-102 CUPHOLDER



SEFES-103 WRITING TABLET



SEFES-111 CLOSED ARMS



# SEFES



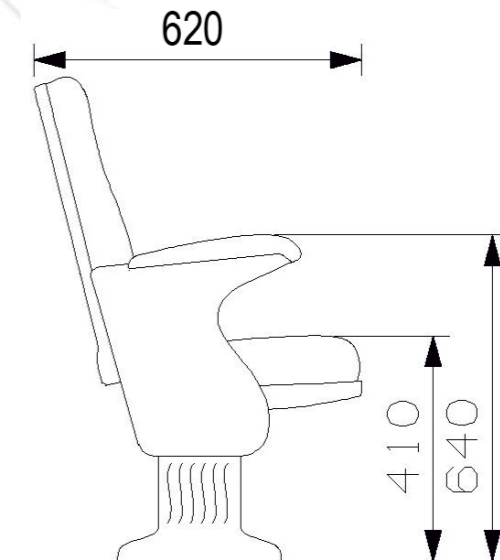
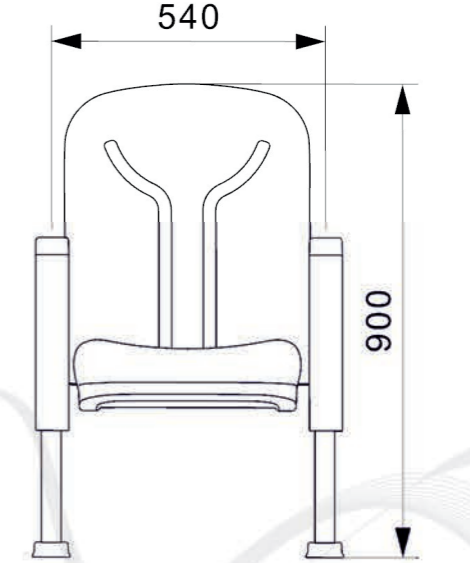
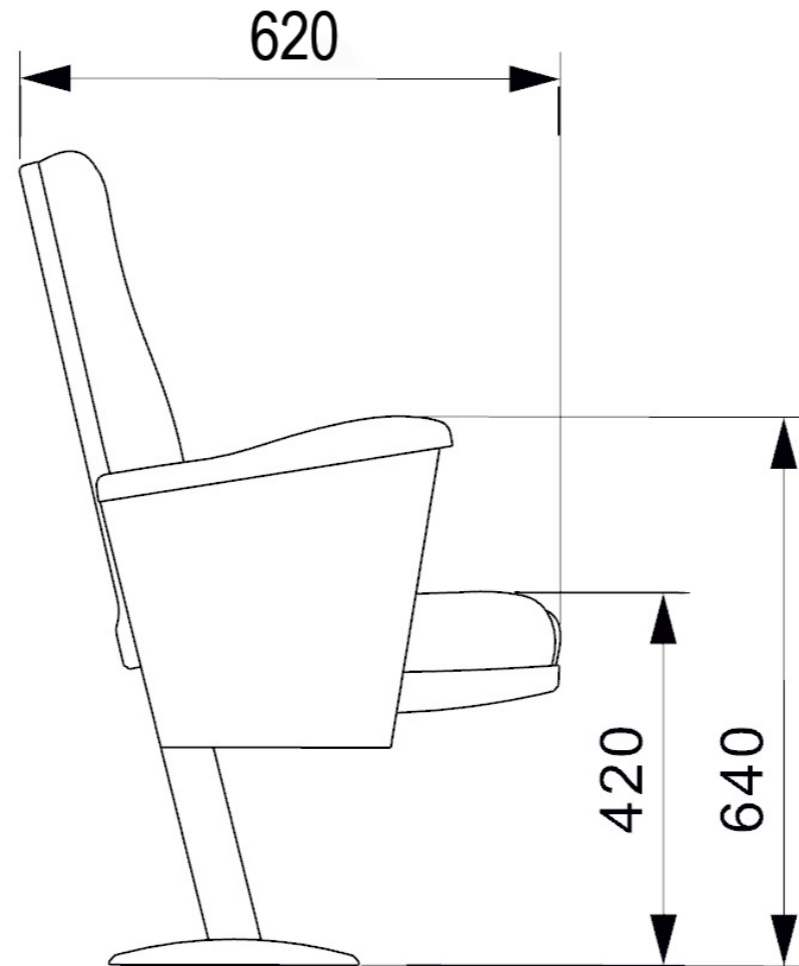
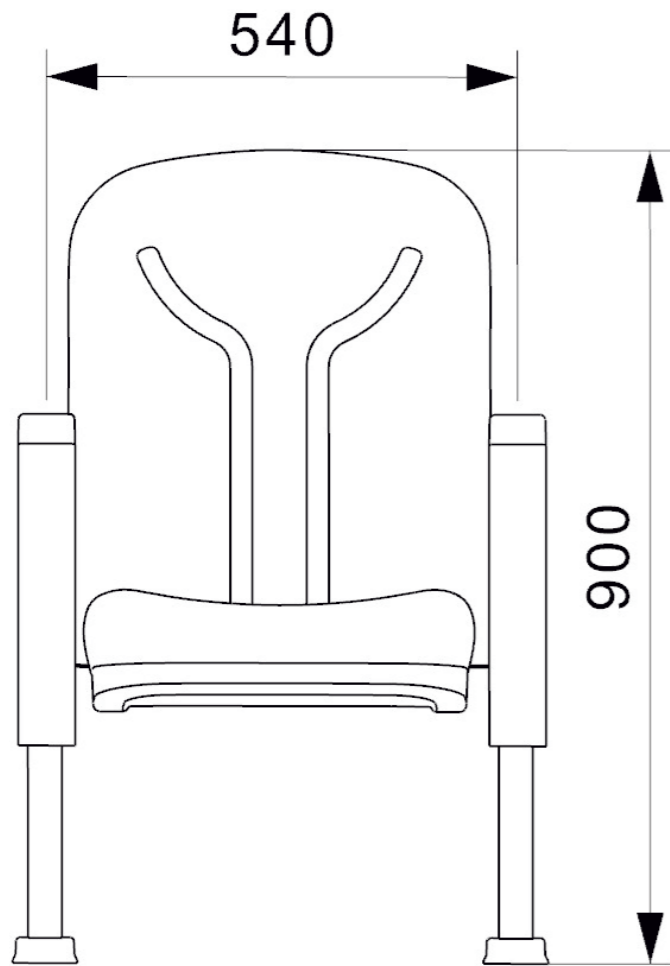
SEFES-112 CLOSED WOOD ARMS



SEFES-113 CLOSED ARM WITH WRITING TABLET



SEFES-121 CLOSED ARMREST



# SEFES TECHNICAL DATASHEET

## Seat and Backrest Units

Seating and back units of the seats are manufactured from polyurethane material in aluminum molds designed in accordance with human anatomy, in compliance with 50 + - 10% density and Mvss 302 fire standards.

Inside the seat and back pads, there is durable steel frame.

Tip up mechanism works with gravity without any springs.

## Legs and Armrest Units

The side legs are manufactured from 40 x 60 x 1.5 mm steel tubes, and the parts fixed on floor are made of sheet steel thickness 2 mm.

Plastic armrests mounted on legs are durable and resistant to impact.

Seats share common arms in between.

Seats are fixed to the floor on two points for each leg.

## Fabric or Vinyl

Fabric or Vinyl used for upholstery is resistant to friction, fire and UV.

Seats and back foams of the seats are upholstered with fabric or vinyl of specified specifications and durable plastic cover with acoustic holes is mounted underneath both units.

Our products have TS EN 12727 & TSE EN 13200-4 certificates and our company has ISO 9001:2015 Quality Management System.



**Yucel Bahce Mob. San. ve Tic. A.S**  
Baspinar OSB Mah. 5. Bolge 83528 Nolu Cad. No:4/1 Sehitkamil 27620  
GAZIANTEP TURKEY  
[e-mail:info@stadkoltugu.com](mailto:info@stadkoltugu.com)  
phone:+90 (342) 337 95 50  
fax :+90 (342) 337 95 45  
[stadseat.com/stadkoltugu.com](http://stadseat.com/stadkoltugu.com)

