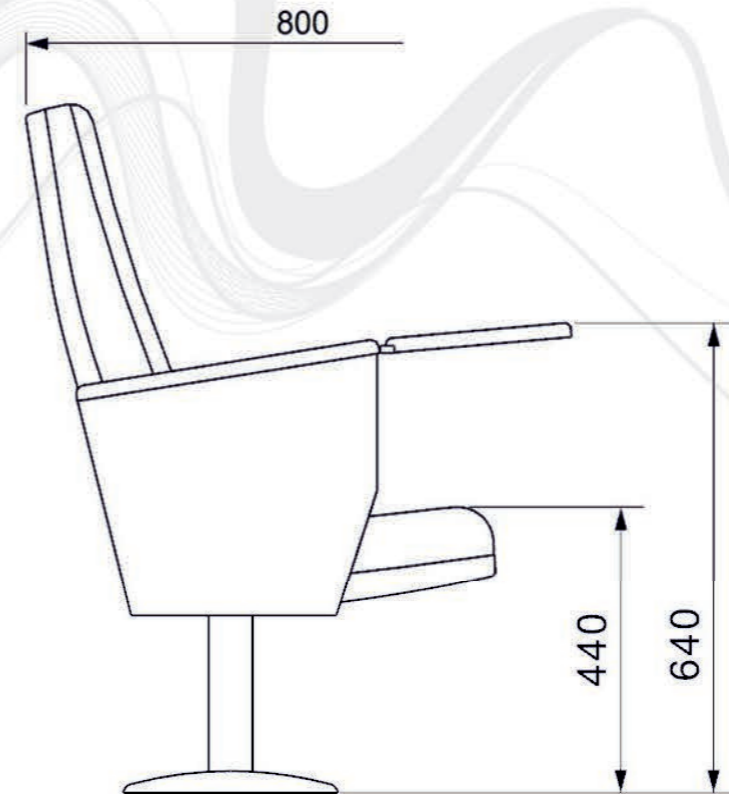
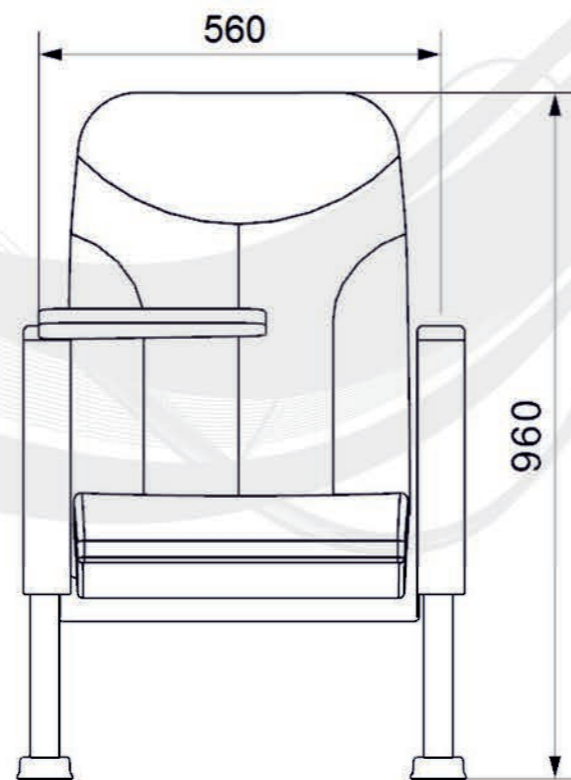




PANTHEON-Y80

PANTHEON-Y80



PANTHEON-Y80 TECHNICAL DATASHEET

Seat and Backrest Units

Seating and back units of the seats are manufactured from polyurethane material in aluminum molds designed in accordance with human anatomy, in compliance with 50 + - 10% density and Mvss 302 fire standards.

Inside the seat and back pads, there is durable steel frame.

Tip up mechanism works with gravity without any springs.

Legs and Armrest Units

The side legs are manufactured from 40 x 60 x 1.5 mm steel tubes, and the parts fixed on floor are made of sheet steel thickness 2 mm.

Underneath the armrests, there are upholstered MDF plate with laminated fabric or vinyl.

Polished wooden armrest made of beech material and polished wooden writing tablets are mounted on the armrests. Writing tablets fold down(hidden) inside the arm.

Seats share common arms in between.

Seats are fixed to the floor on two points for each leg.

Fabric or Vinyl

Fabric or Vinyl used for upholstery is resistant to friction, fire and UV.

Seats and back units of the seats are upholstered completely with fabric or vinyl upholstered with specified specifications.

Our products have TS EN 12727 & TSE EN 13200-4 certificates and our company has ISO 9001:2015 Quality Management System.

Seat design is protected by Utility Model Registration and Petty Patent.



ATHENS CONFERENCE HALL



PANTHEON THEATER HALL

Yucel Bahce Mob. San. ve Tic. A.S
Baspinar OSB Mah. 5. Bolge 83528 Nolu Cad. No:4/1 Sehitkamil 27620
GAZIANTEP TURKEY
[e-mail:info@stadkoltugu.com](mailto:info@stadkoltugu.com)
phone:+90 (342) 337 95 50
fax :+90 (342) 337 95 45
stadseat.com/stadkoltugu.com

