

**Yücel**  
BAHÇE MOB. SAN VE TİC. A.Ş.

**DELTA**   
Stadium Seating

**LIMA**



Non-corrosive



Long-lasting



Waterproof



Virgin Material

[stadseat.com/stadkoltugu.com](http://stadseat.com/stadkoltugu.com)



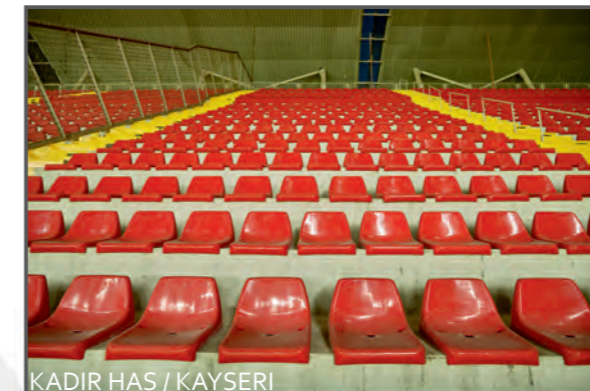
## KAYSERİ KADIR HAS STADIUM/TURKEY

Yucel AS carried out a lot of domestic and overseas project since Delta seats entered into market. Among recent domestic references Sivas Stadium, Konya Stadium, Bursa Timsah Arena, Galatasarat TT Arena and overseas references; Batumi Stadium/Georgia, Japoma Stadium/Cameroon, Al Nasr Stadium/Dubai, Loro Borici Stadium/Albania and many more can be counted.

Yucel Bahce Mob. San. Tic A.S company started its activities in 1985. Since 2002, company has been producing plastic furniture for outdoors. Seating for stadiums are produced since 2008, first project being Kadir Has Stadium in Kayseri, Turkey.

In 2009, Delta brand name has been purchased and since then Delta seats are supplied to stadiums and sports halls in variety of models including general spectator seats, VIP – Box seats, Players Bench seats, Press seats in numerous assembly methods.

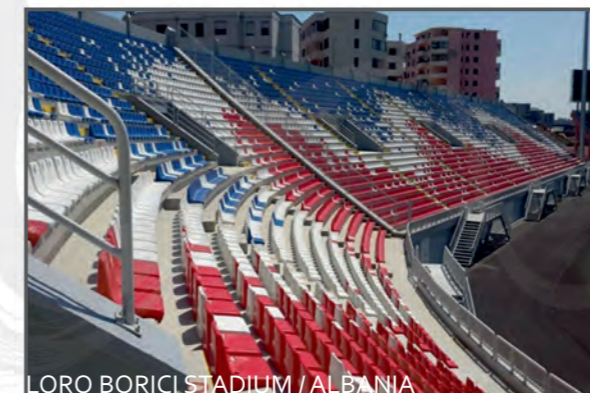
As of today, Yucel has been exporting stadium seats and plastic furnitures to 62 countries that is produced in its integrated plants built on area of 50.000 sqr meters in south of Turkey. Market share of Delta has been going up every year thanks to stock rates, fast production capability and variety of models that is developed consistently every year.



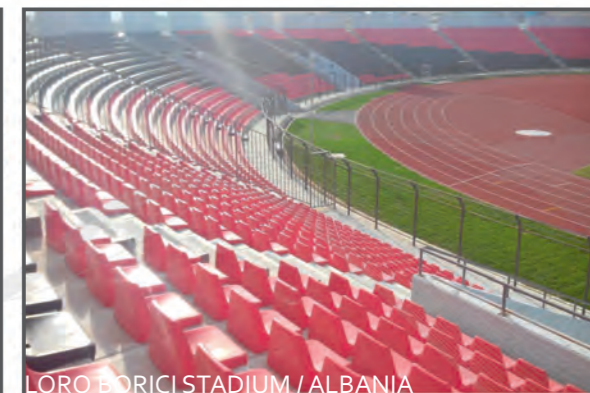
KADIR HAS / KAYSERİ



MIZAIR ISMARHOVEC / KOSOVO



LORO BORICI STADIUM / ALBANIA

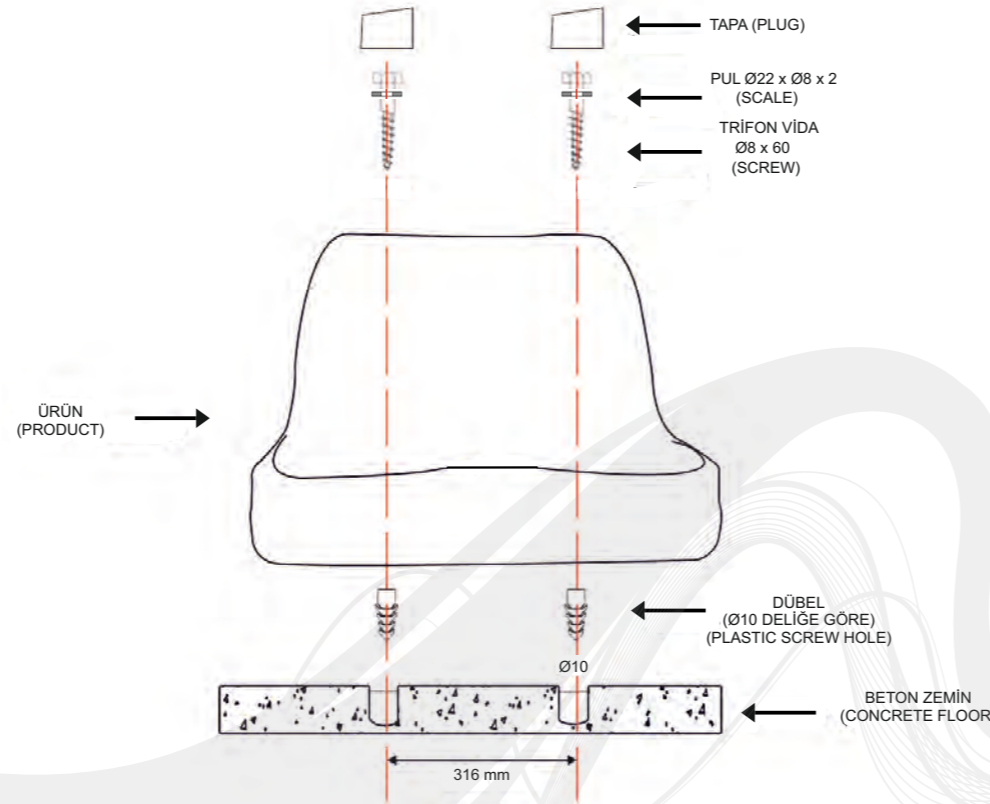


LORO BORICI STADIUM / ALBANIA

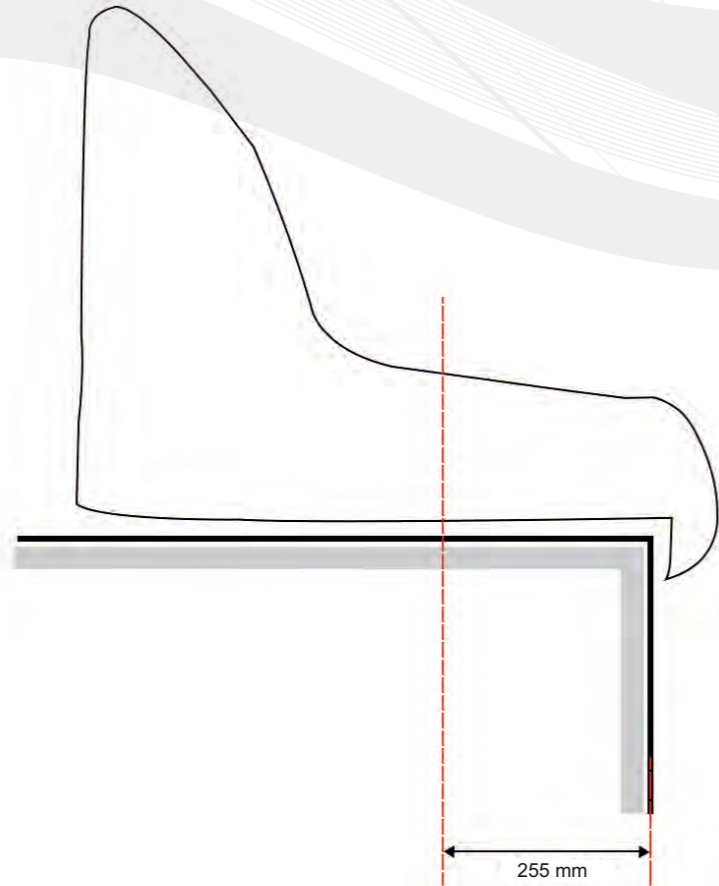
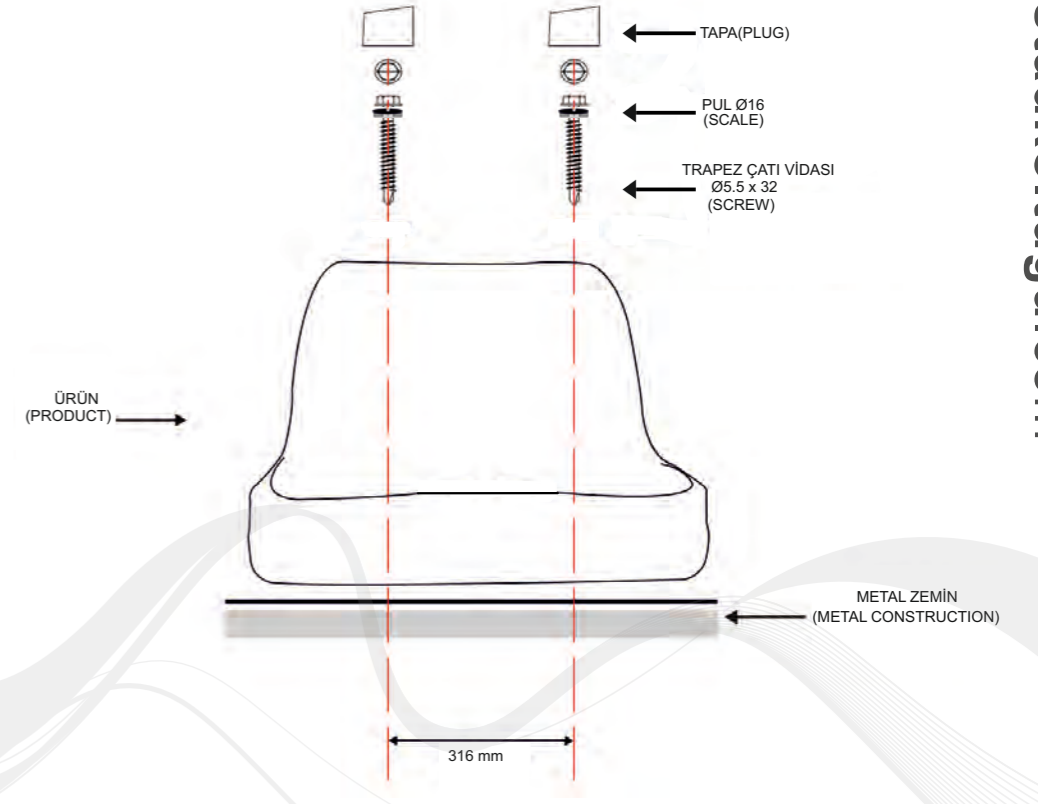
# LIMA



## Assembly Scheme (Concrete Surface)



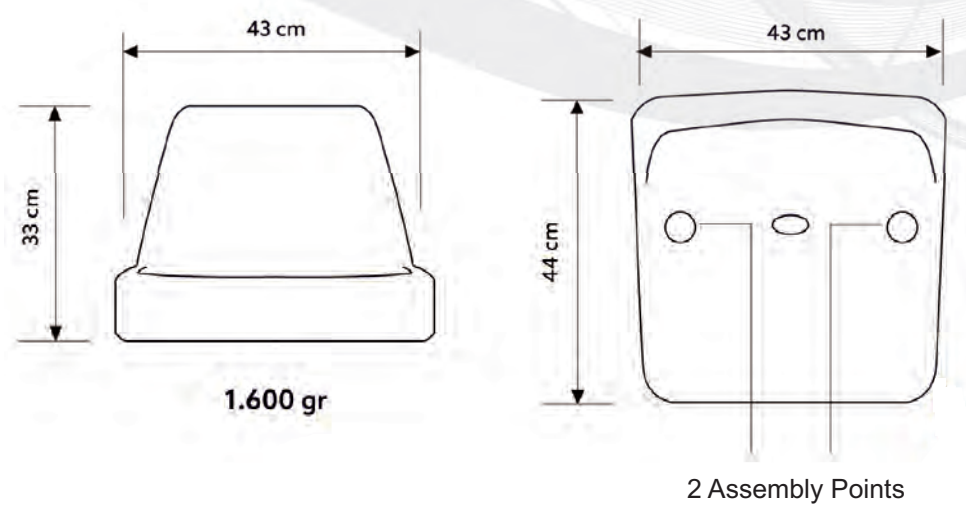
## Assembly Scheme (Metal Surface)



# LIMA TECHNICAL DATASHEET

- ⚡ Seat is moulded by injection in virgin high quality copolymer polypropylene.
- ⚡ Backrest is strengthened with double wall to prevent to be broken with vandalism.
- ⚡ UV and Antioxidant additives are used in color masterbatch with highest light-fastness color pigments to prevent color fade. ( Light Resistance - EN ISO 4892-2)
- ⚡ Orthopedic seating feature, which is comfortable for both the back and legs.
- ⚡ There is a central drainage point which enables water go through.
- ⚡ Shiny surface prevent dirt from accumulating inside the seats. Easy to clean.
- ⚡ FR(fire retardent) additive is used to delay inflaming as required. Classified as UL94 V2 standard.
- ⚡ Front design does not allow the seat to be pulled off.
- ⚡ Seat is fixed onto the floor with 2 bolts after opening holes and placing dowels. The base and anchoring points of the seat are strengthened with additional ribs. Plastic caps placed on seat prevent water leaking inside the bolts.

Our products have TS EN 12727 & TSE EN 13200-4 certificates and our company has ISO 9001:2015 Quality Management System.



**Yucel Bahce Mob. San. ve Tic. A.S**  
 Baspinar OSB Mah. 5. Bolge 83528 Nolu Cad. No:4/1 Sehitkamil 27620  
 GAZIANTEP TURKEY  
[e-mail:info@stadkoltugu.com](mailto:info@stadkoltugu.com)  
 phone:+90 (342) 337 95 50  
 fax :+90 (342) 337 95 45  
[stadseat.com/stadkoltugu.com](http://stadseat.com/stadkoltugu.com)



package quantity	package dimension	40" container	90m <sup>3</sup> truck
10 Pieces	42.5x43x103 cm	4000 Pieces	5000 Pieces