

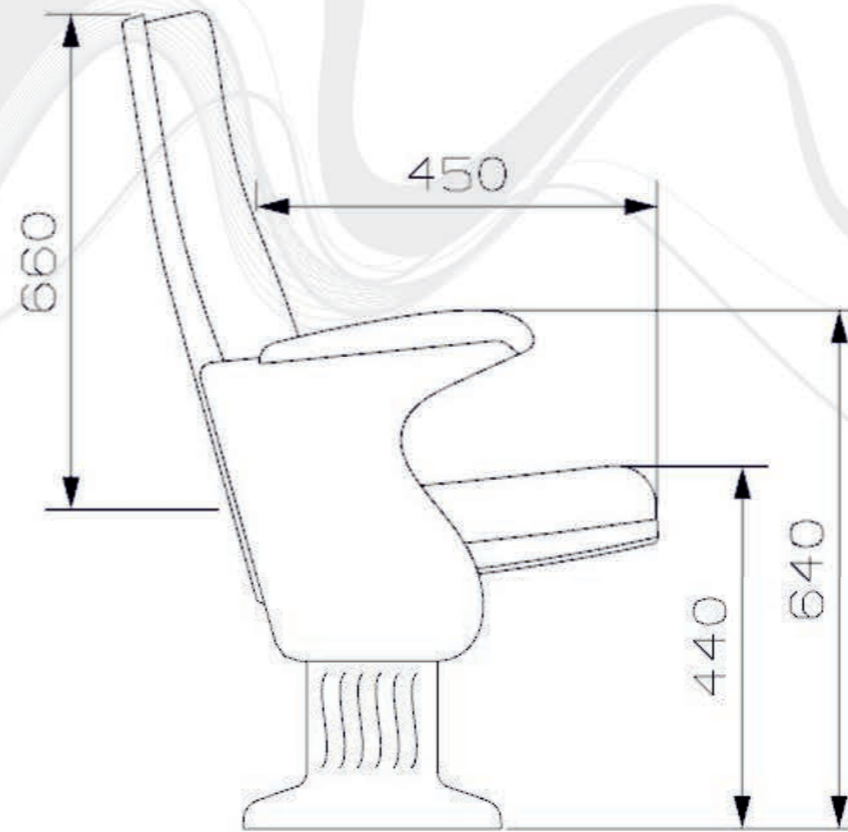
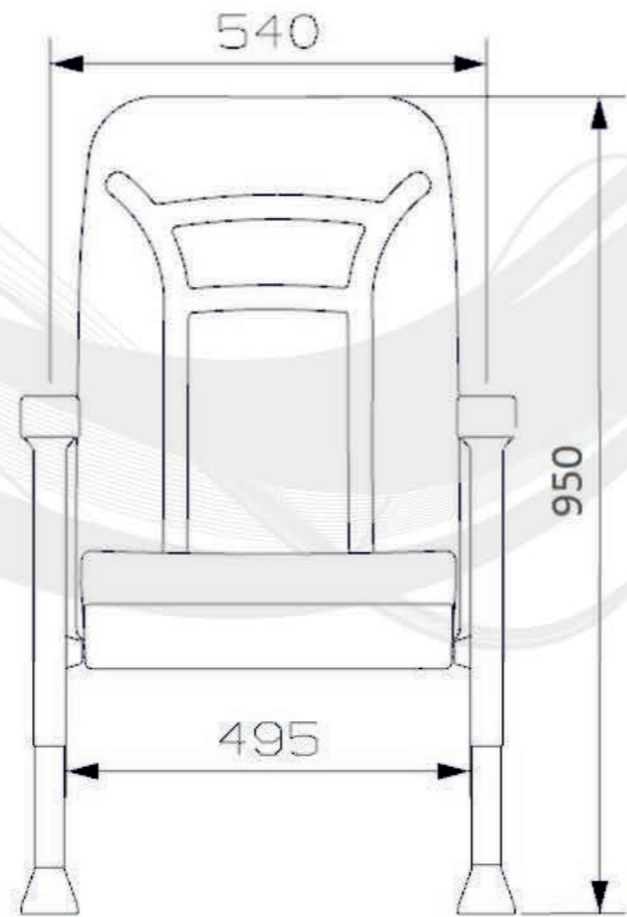
**Yücel**  
BAHÇE MOB. SAN VE TİC. A.Ş.

**DELTA**   
*Stadium Seating*

**FLEX-P30**



# FLEX-P30





# FLEX-P30 TECHNICAL DATASHEET

## Seat and Backrest Units

Seating and back units of the seats are manufactured from polyurethane material in aluminum molds designed in accordance with human anatomy, in compliance with 50 + - 10% density and Mvss 302 fire standards.

Inside the seat and back pads, there is durable steel frame.

Tip up mechanism works with gravity without any springs.

## Legs and Armrest Units

The foot parts of the seats are made of virgin plastic that is resistant to impacts and has a thickness of 8 mm.

Armrests made of high density (60 ± 5 Shore A) Polyurethane material.

Seats share common arms in between.

Seats are fixed to the floor on two points for each leg.

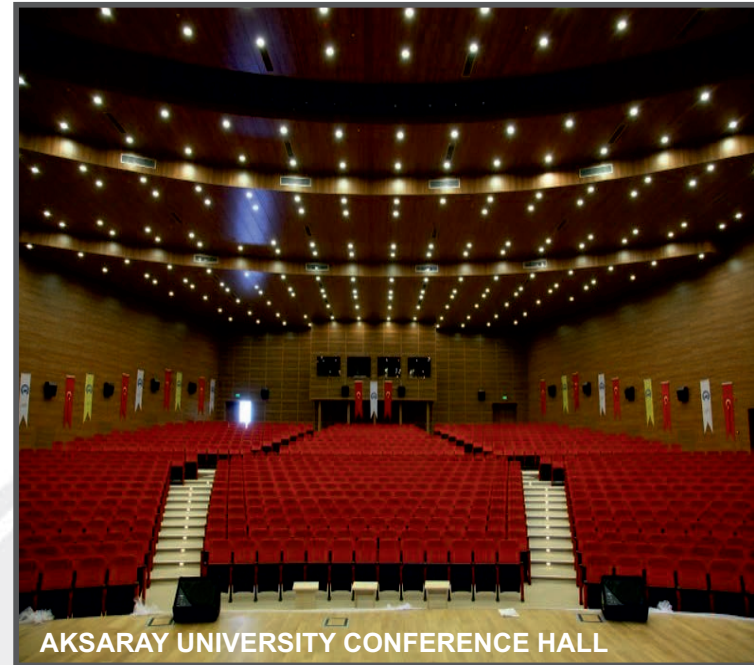
## Fabric or Vinyl

Fabric or Vinyl used for upholstery is resistant to friction, fire and UV.

Seats and back foams of the seats are upholstered with fabric or vinyl of specified specifications and durable plastic cover with acoustic holes is mounted underneath both units.

Our products have TS EN 12727 & TSE EN 13200-4 certificates and our company has ISO 9001:2015 Quality Management System.

Seat design is protected by Utility Model Registration and Petty Patent.



AKSARAY UNIVERSITY CONFERENCE HALL



AKSARAY UNIVERSITY CONFERENCE HALL

**Yucel Bahce Mob. San. ve Tic. A.S**

Baspinar OSB Mah. 5. Bolge 83528 Nolu Cad. No:4/1 Sehitkamil 27620

GAZIANTEP TURKEY

[e-mail:info@stadkoltugu.com](mailto:info@stadkoltugu.com)

phone:+90 (342) 337 95 50

fax :+90 (342) 337 95 45

[stadseat.com/stadkoltugu.com](http://stadseat.com/stadkoltugu.com)

