

Yücel
BAHÇE MOB. SAN VE TİC. A.Ş.

DELTA 
Stadium Seating



DELTA TIP UP



Long-lasting



Waterproof



Virgin Material

stadseat.com/stadkoltugu.com



KONYA STADIUM

Yucel AS carried out a lot of domestic and overseas project since Delta seats entered into market. Among recent domestic references Sivas Stadium, Konya Stadium, Bursa Timsah Arena, Galatasarat TT Arena and overseas references; Batumi Stadium/Georgia, Japoma Stadium/Cameroon, Al Nasr Stadium/Dubai, Loro Borici Stadium/Albania and many more can be counted.

Yucel Bahce Mob. San. Tic A.S company started its activities in 1985. Since 2002, company has been producing plastic furniture for outdoors. Seating for stadiums are produced since 2008, first project being Kadir Has Stadium in Kayseri, Turkey.

In 2009, Delta brand name has been purchased and since then Delta seats are supplied to stadiums and sports halls in variety of models including general spectator seats, VIP – Box seats, Players Bench seats, Press seats in numerous assembly methods.

As of today, Yucel has been exporting plastic furnitures and stadium seats to 62 countries that is produced in its integrated plants built on area of 50.000 sqr meters in south of Turkey. Market share of Delta has been going up every year thanks to stock rates, fast production capability and variety of models that is developed consistently every year.



ALEXANDRIA HALL STADIUM / ROMANIA



ANTALYA SPORTS HALL



USAK INDOOR SPORTS HALL



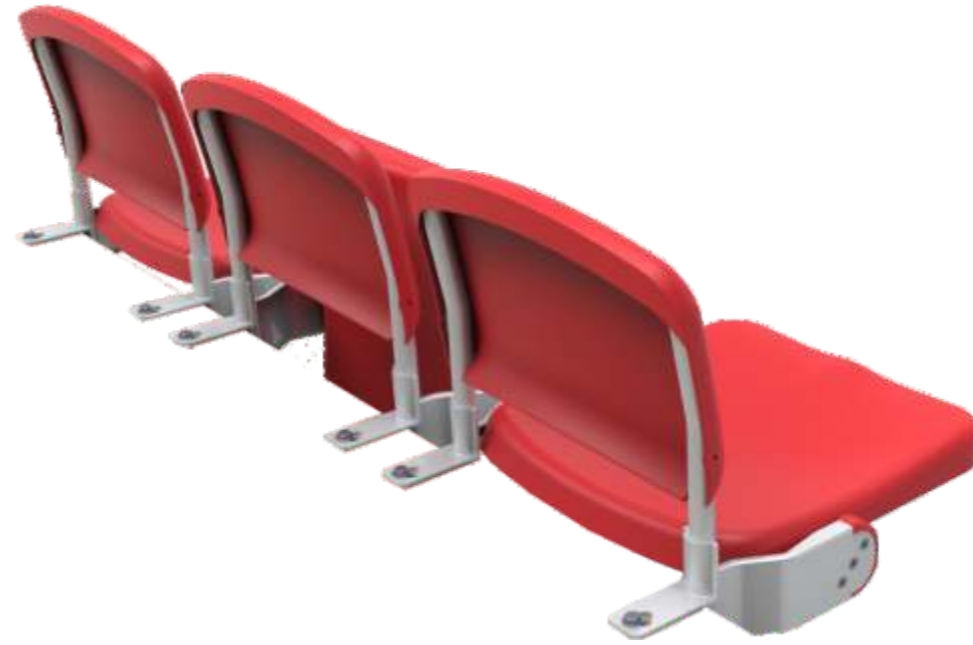
GALATASARAY TURK TELECOM ARENA

DELTA TIP UP

*Practical solution for low steps.



STANDARD - 101

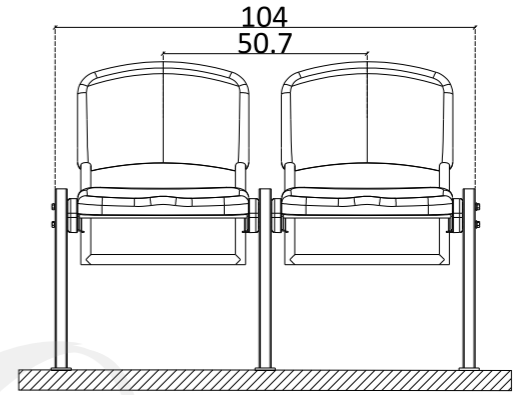
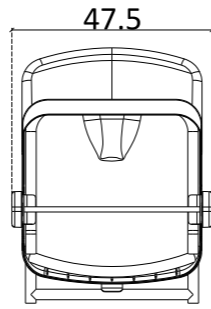
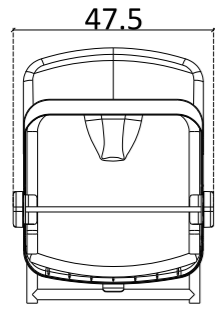


L ASSEMBLY-110

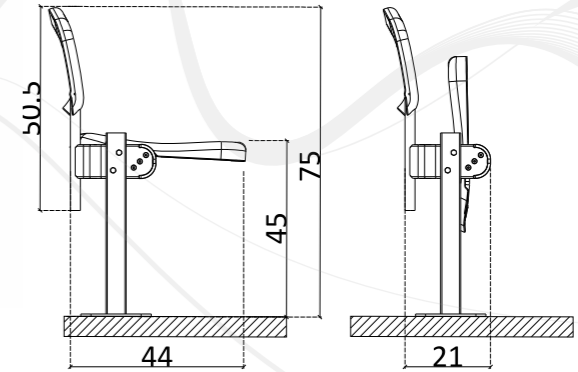
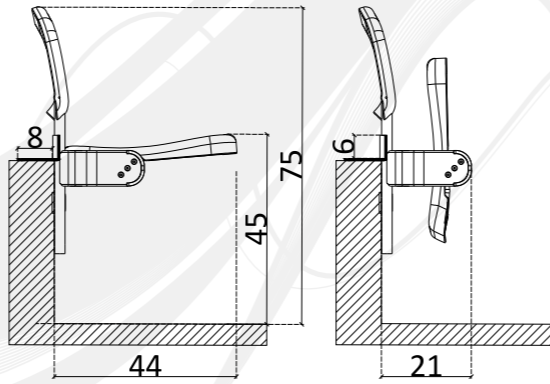
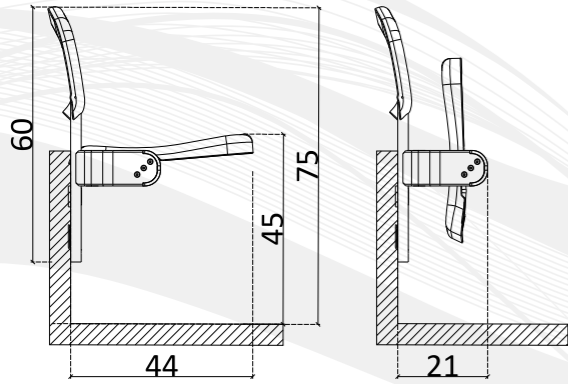


FLOOR MOUNTED-201

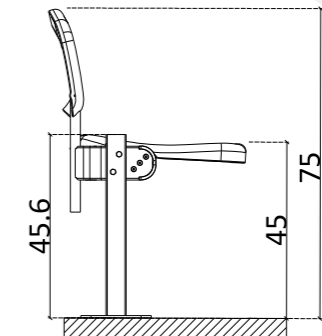
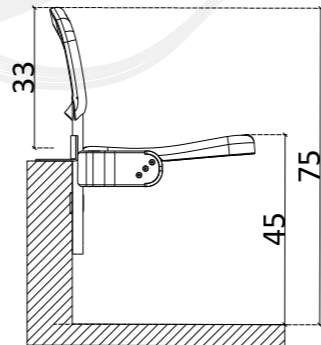
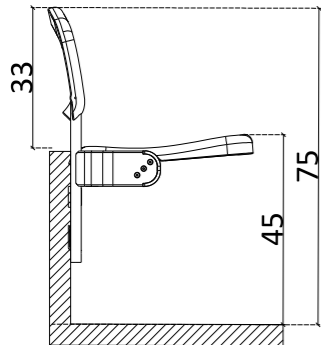
FRONT VIEW



OPEN-CLOSE VIEW



SIDE VIEW



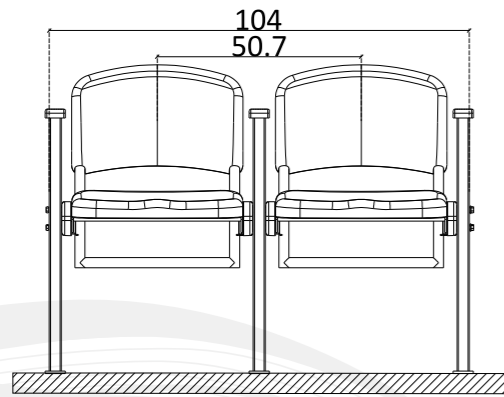
*All dimensions are centimeters.

DELTA TIP UP

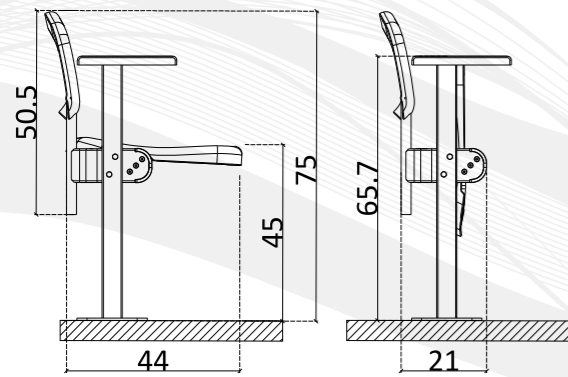


FLOOR MOUNTED WITH ARMS-202

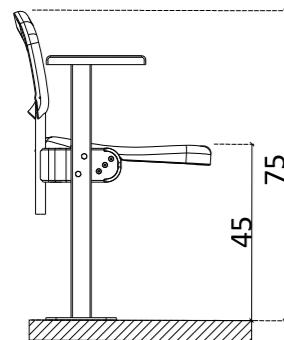
FRONT VIEW



OPEN-CLOSE VIEW



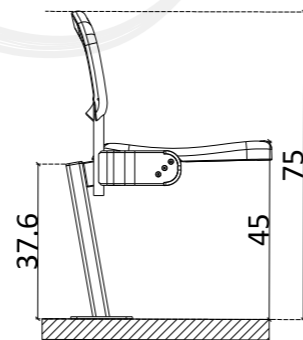
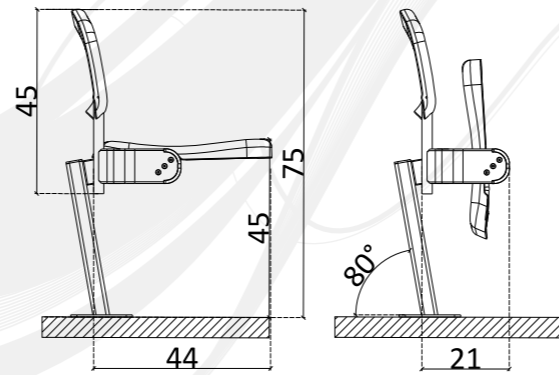
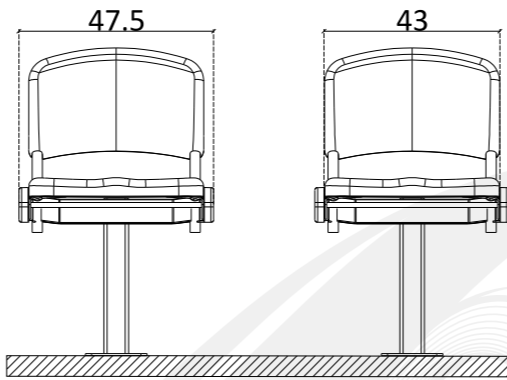
SIDE VIEW



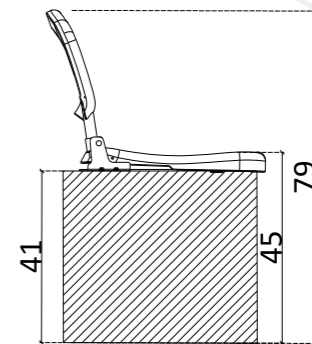
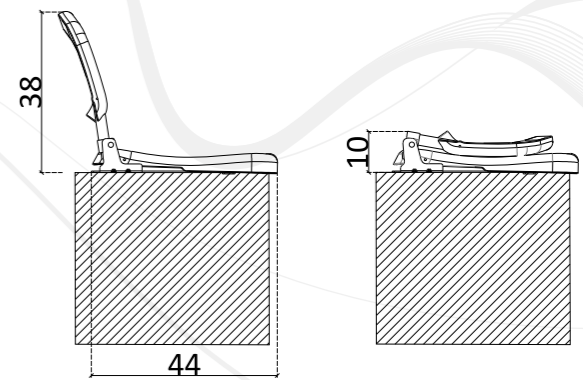
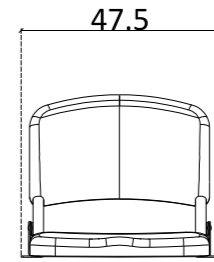
*All dimensions are centimeters.



FLOOR MOUNTED WITH MIDDLE LEG-211



TELESCOPIC - 501



DELTA TIP UP

- ⚡ Plastic Seat and Backrest are produced by high quality copolymer P.P moulded by injection; metal frame produced by 25Qx2 mm steel frame.
- ⚡ UV and Antioxidant additives are used in color masterbatch with highest light-fastness color pigments to prevent color fade. (Light Resistance – EN ISO 4892-2)
- ⚡ FR(fire retardent) additive is used to delay inflaming. Classified as UL94 V2 standard.
- ⚡ Tip up mechanism works with counterweigh which has been concealed inside the frame .
- ⚡ In order to prevent friction between moving parts and noise, polyamide mechanism is used on both sides.
- ⚡ Orthopedic seating feature, which is comfortable for both the back and legs.
- ⚡ There is oval numbering place on backrest of the seat.
- ⚡ Surface of steel frame is sandblasted and undercoated before color is applied. Outdoor qualified powder is used in coating. Frame is tested with 500 hours Neutral Spray Fog test.
- ⚡ Seat can be mounted directly on step or floor to reach 45 cm seat height with alternative assembly methods. Assembly is made on 3 points after placing galvanised dowels on drilled holes with M8 stainless steel screws.

Our products have TS EN 12727 & TSE EN 13200-4 certificates and our company has ISO 9001:2015 Quality Management System.



Yucel Bahce Mob. San. ve Tic. A.S
Baspinar OSB Mah. 5. Bolge 83528 Nolu Cad. No:4/1 Sehitkamil 27620
GAZIANTEP TURKEY
[e-mail:info@stadkoltugu.com](mailto:info@stadkoltugu.com)
phone:+90 (342) 337 95 50
fax :+90 (342) 337 95 45
stadseat.com/stadkoltugu.com

